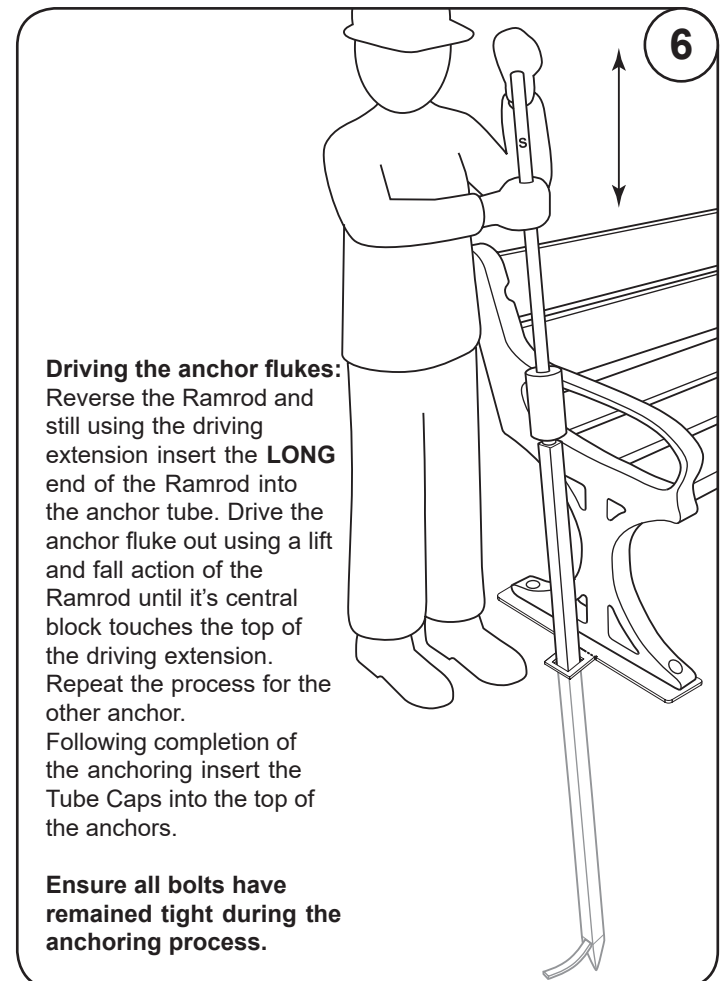
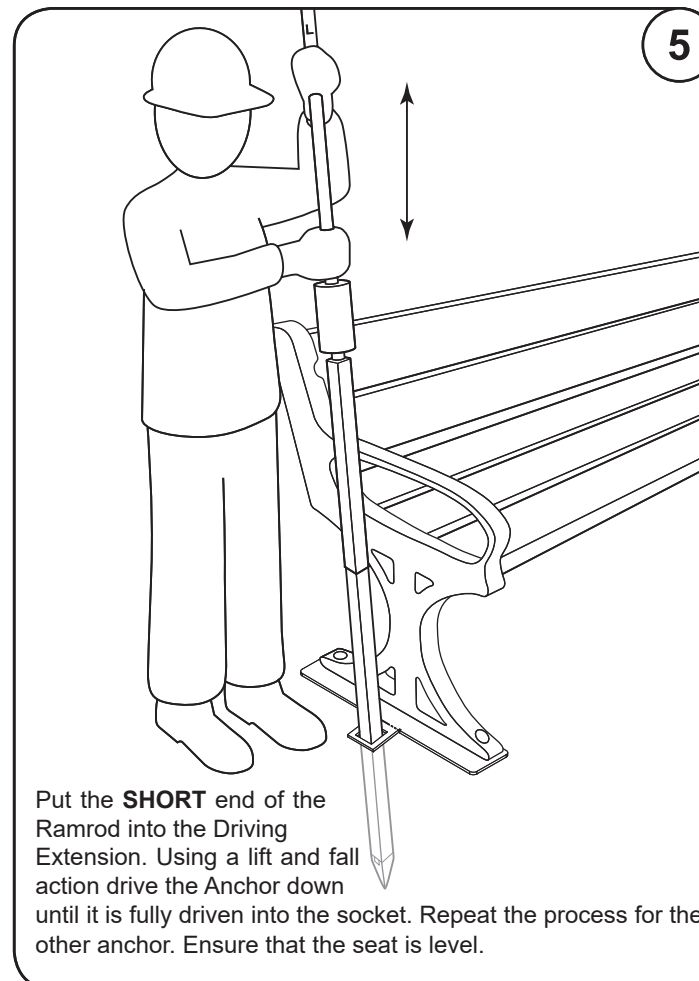
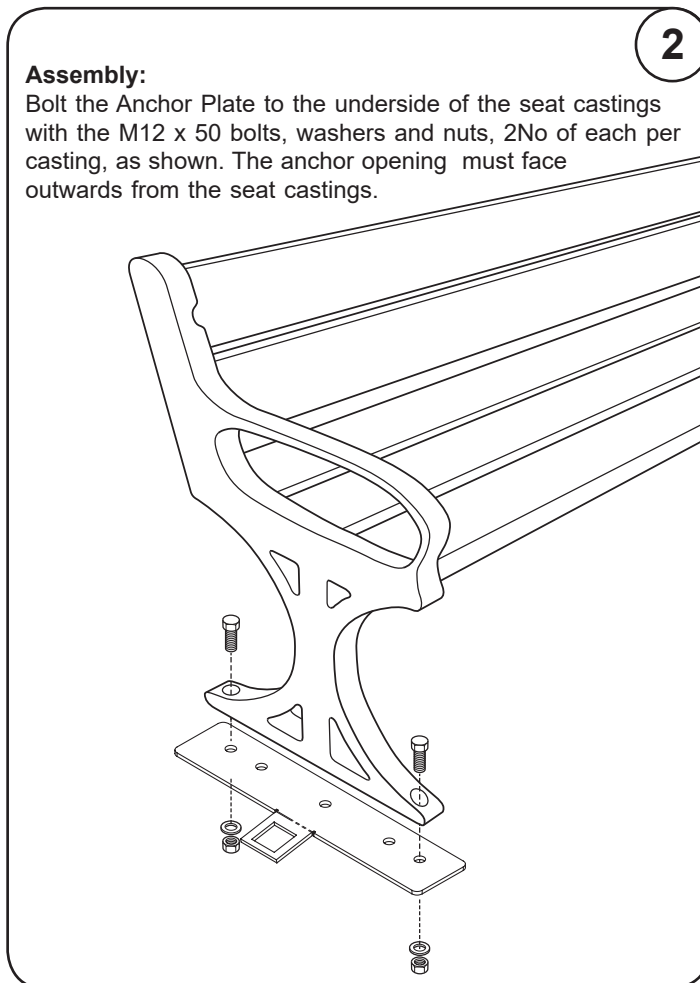
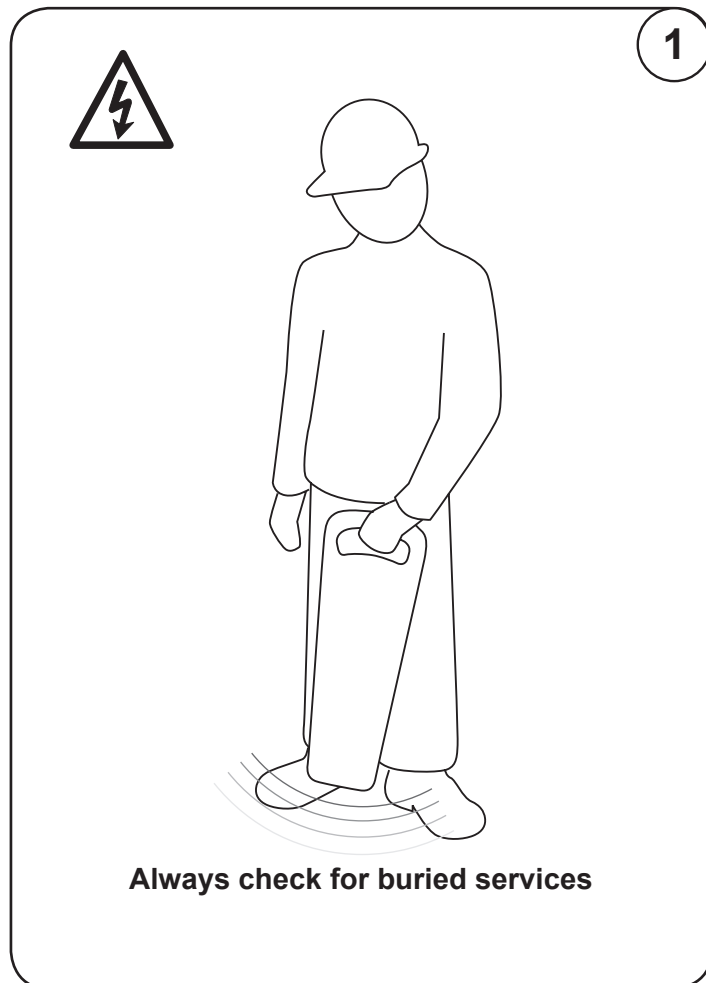
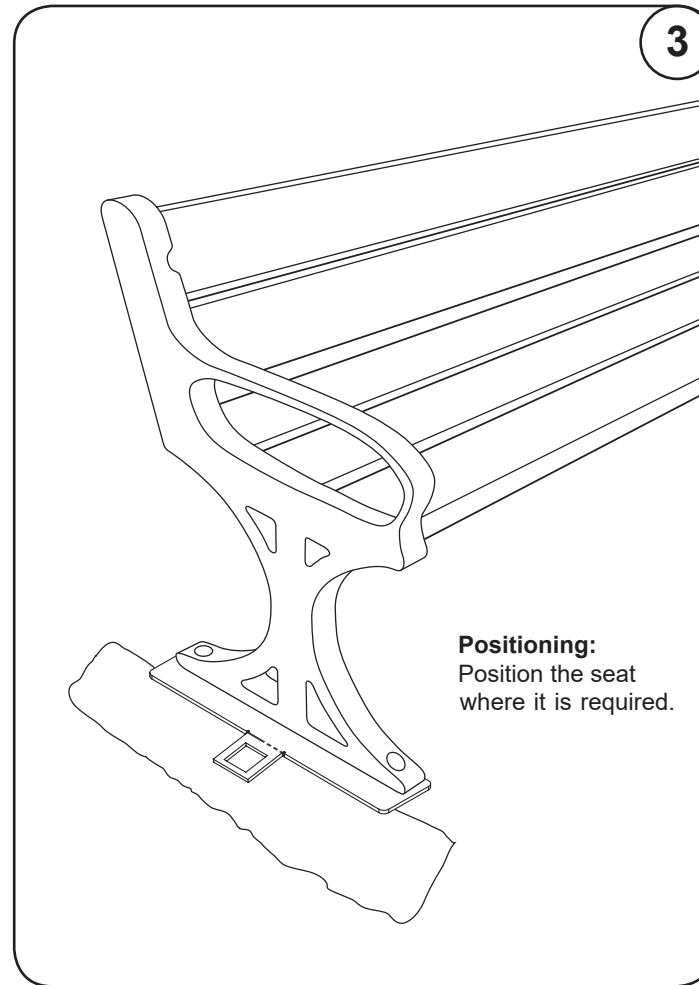
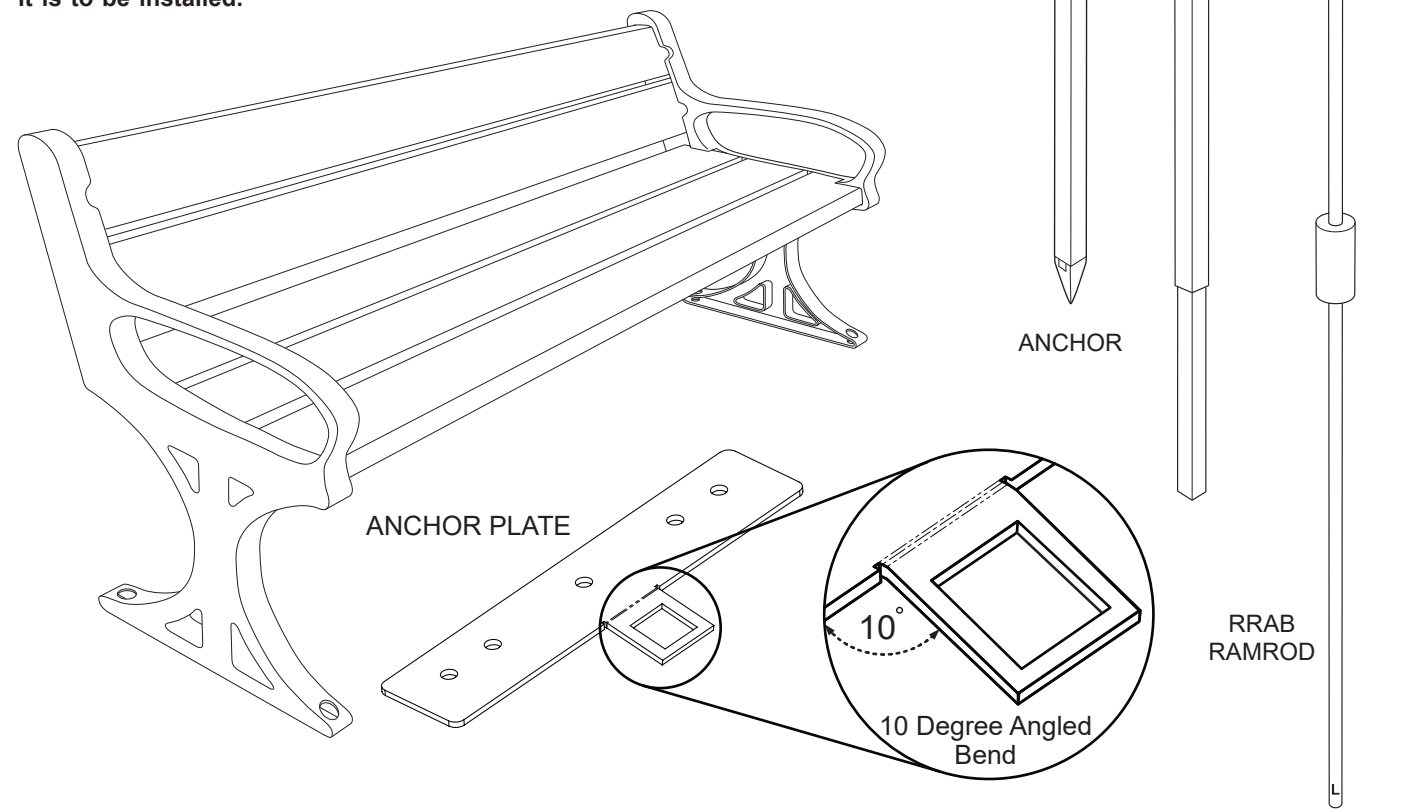


INSTALLATION INSTRUCTIONS EVERGREEN / CENTENARY SEAT ANCHORING

DOC REF: 501 ISSUE 01

Make sure the seat is assembled close to where it is to be installed.



Earth Anchors Ltd
Unit 3 lo Centre, Salbrook Road Industrial Estate, Salfords, Surrey, RH1 5GJ
Tel: 020 8684 9601
www.earth-anchors.com

DOC REF: 501 ISSUE 01