



Earth Anchors

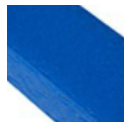
furniture for parks and streets.

Table Data Sheet

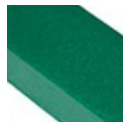
Rainbow 1.5m Walkthrough



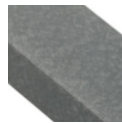
Colour Information:



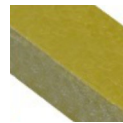
Blue



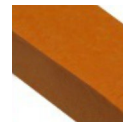
Green



Grey



Yellow



Orange



Red



Purple



Multi

Specification:

Table Length: 1500mm
Table height: 752mm
Seat height: 444mm
Weight: 96kg

Product Information

Description

A brightly coloured easy access step through picnic table for up to 6 people. Made entirely from Forest-Saver recycled plastic. Easy assembly using a single spanner and a screwdriver.

Features

Supplied partially assembled – 6 pieces.
Guaranteed for 25 years against material failure.

Materials

Forest-Saver recycled plastic.
Stainless steel fixings.

Optional Extras

Customise with engraving or plaques.
Ground fixing kits.
Parasol hole – 47mm.



Earth Anchors Ltd

Unit 3 Io Centre, Salbrook Road Industrial Estate, Salfords, Surrey, RH1 5GJ

Tel: 020 8684 9601

www.earth-anchors.com



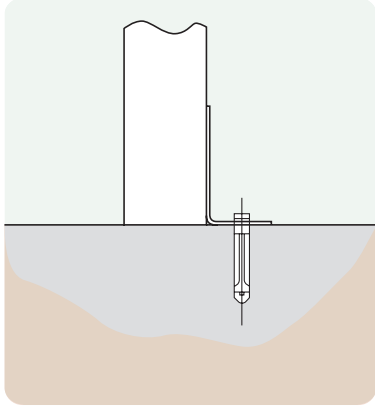
Earth Anchors

furniture for parks and streets.

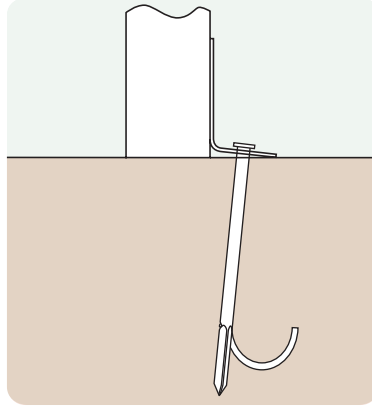
Table Data Sheet

Rainbow 1.5m Walkthrough

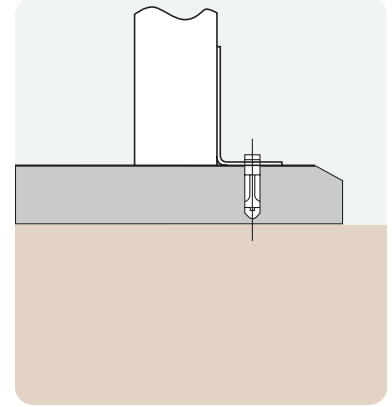
Ground Fixings



Bolt down
Available for a variety
of hard surfaces.



Anchored
Soft ground fixing kit for
grass.

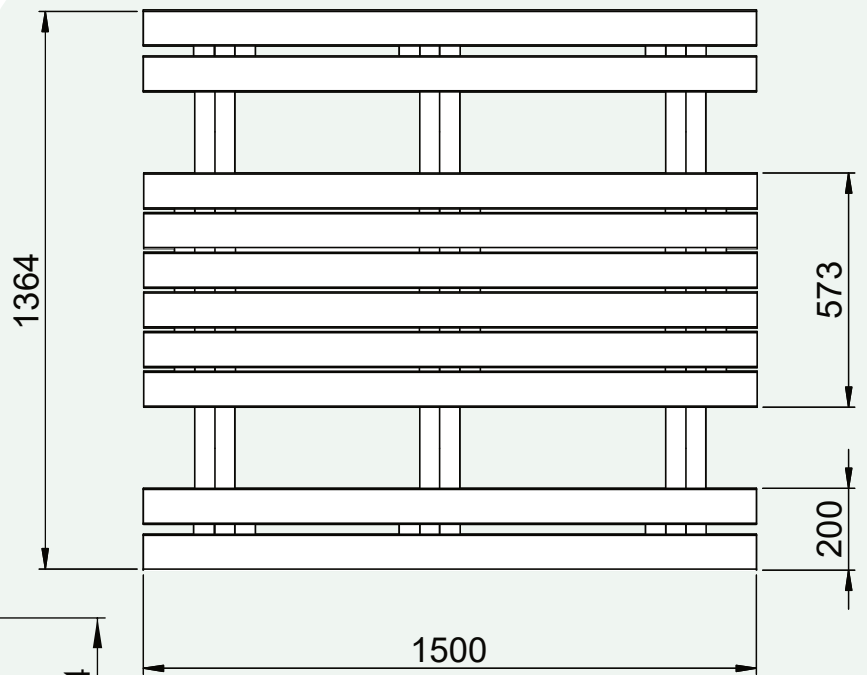


FastDek
Envirofriendly alternative
to a concrete pad.

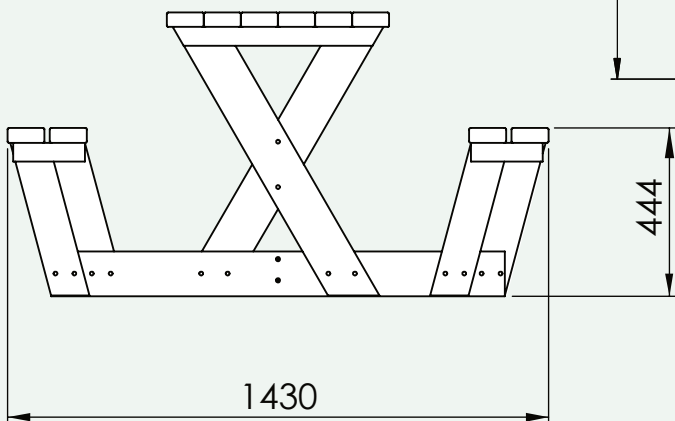
Additional Data

Total weight: 96kg
Top weight: 33kg
Bench weight: 11kg
Leg weight: 20kg
Brace weight: 1kg

Top View



Side View



Earth Anchors Ltd
Unit 3 lo Centre, Salbrook Road Industrial Estate, Salfords, Surrey, RH1 5GJ
Tel: 020 8684 9601
www.earth-anchors.com