



Earth Anchors

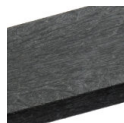
furniture for parks and streets.

Table Data Sheet

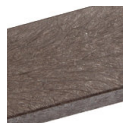
Surrey 1m Picnic Table



Colour Information:



Black



Brown

Specification:

Table top width: 1000mm

Table height: 745mm

Seat height: 454mm

Weight: 75kg

Product Information

Description

A-Frame picnic table for 2 people. Made entirely from Forest-Saver recycled plastic.

Features

Supplied partially assembled - (5 pieces).
Guaranteed for 25 years against material failure.

Materials

Forest-Saver recycled plastic.
Stainless steel fittings.

Optional Extras

Personalisation with engravings or plaques.
Ground fixing kits.
Extended legs.
Parasol hole - 47mm.



Earth Anchors Ltd

Unit 3 Io Centre, Salbrook Road Industrial Estate, Salfords, Surrey, RH1 5GJ

Tel: 020 8684 9601

www.earth-anchors.com



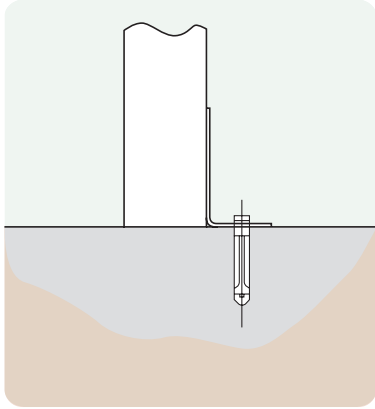
Earth Anchors

furniture for parks and streets.

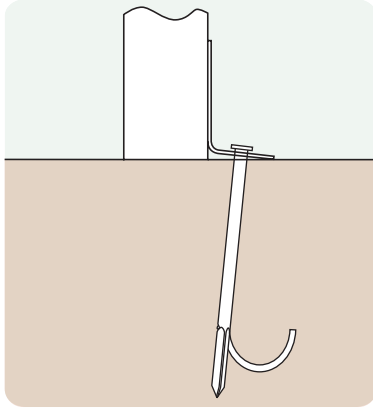
Table Data Sheet

Surrey 1m Picnic Table

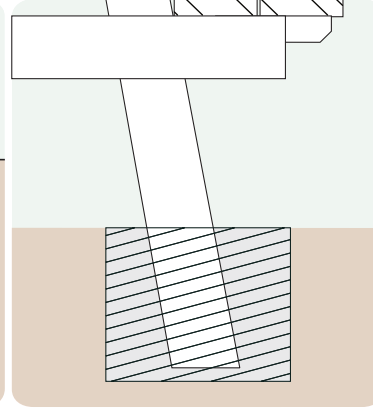
Ground Fixings



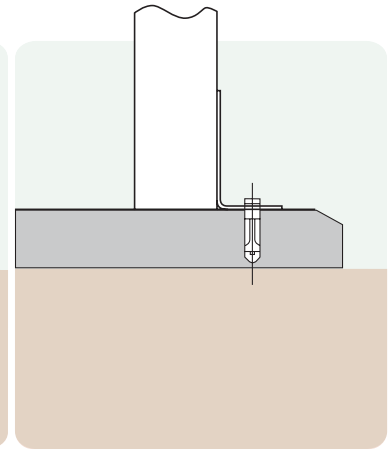
Bolt down
Available for a variety of hard surfaces.



Anchored
Soft ground fixing kit for grass.

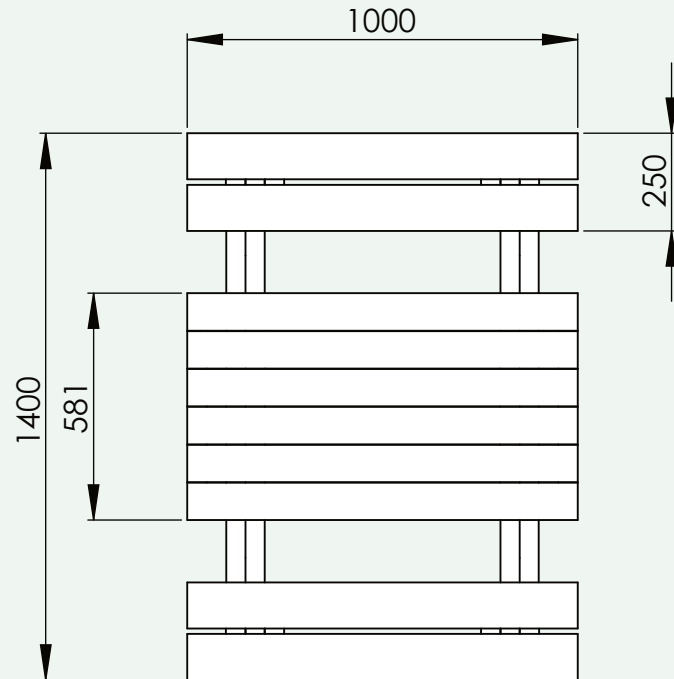


Extended leg
Concrete - In.



FastDek
Envirofriendly alternative to a concrete pad.

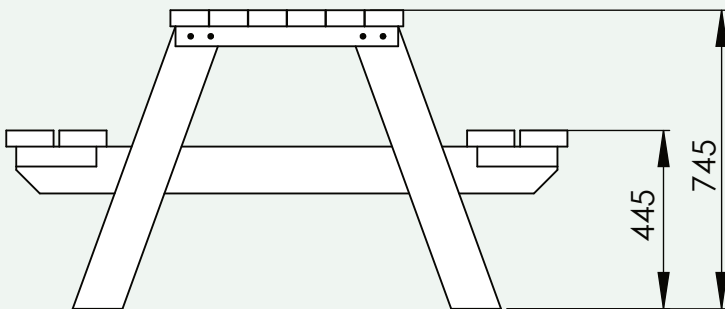
Top View



Additional Data

Total weight: 75kg
Table weight: 23kg
Bench weight: 11kg
Leg weight: 15kg

Side View



Earth Anchors Ltd
Unit 3 Io Centre, Salbrook Road Industrial Estate, Salfords, Surrey, RH1 5GJ
Tel: 020 8684 9601
www.earth-anchors.com