

PARTS LIST - 2 PERSON ASSEMBLY:-

A	PRE-ASSEMBLED TABLE TOP	1 no.
B	END A-FRAME	2 no.
C1	CUT END A-FRAME	1 no.
D	PRE-ASSEMBLED SEAT (Long)	1 no.
D1	PRE-ASSEMBLED SEAT (Short)	1 no.
E	70mm S/STEEL SCREWS	56 no.
F	90mm S/STEEL SCREWS	22 no.

TOOLS:-

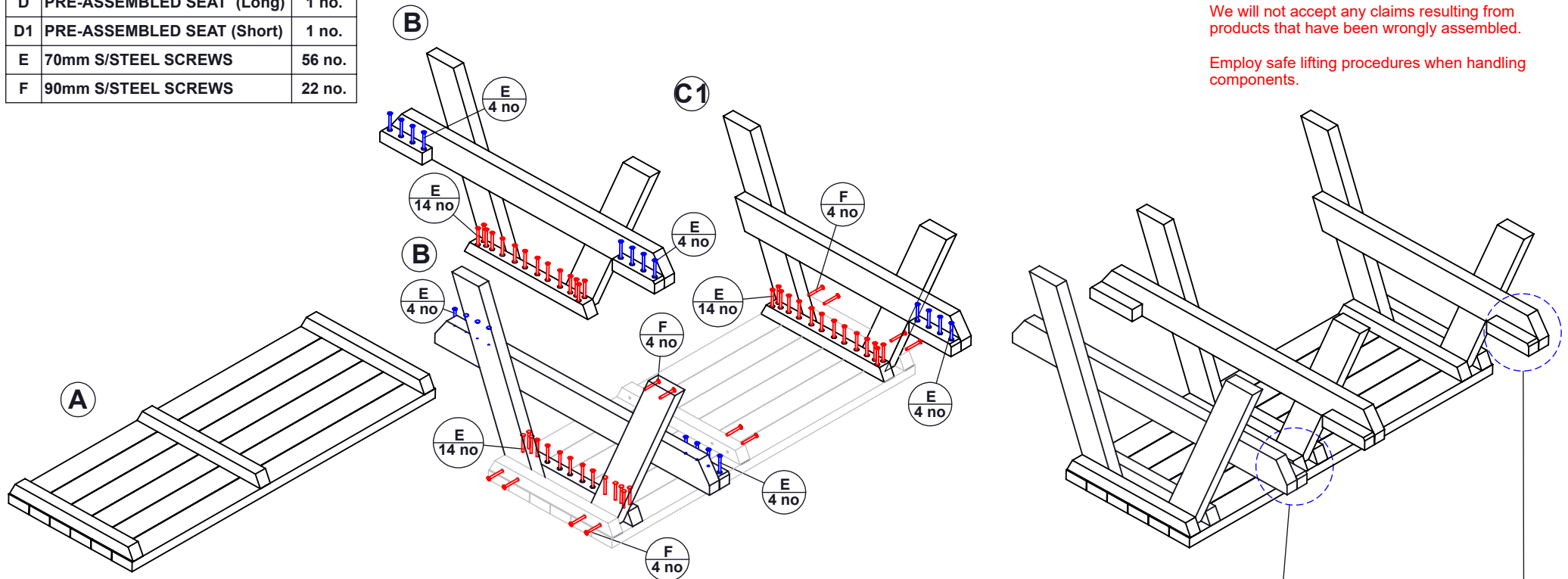
POWER DRILL WITH P22 - HEAD BIT
G CLAMPS / QUICK CLAMPS

IMPORTANT:-

Ensure that you are familiar with these assembly instructions prior to commencing assembly.

We will not accept any claims resulting from products that have been wrongly assembled.

Employ safe lifting procedures when handling components.



BEGIN ASSEMBLY WITH TABLE TOP TURNED UPSIDE DOWN

THE SIDE WITH THE SMALLER GAP BETWEEN THE FIXING BARS IS THE MOBILITY END AND SUCH REQUIRES THE CUT END FRAME

FIX A-FRAMES TO TABLE TOP USING 70mm SCREWS THROUGH PRE-DRILLED HOLES IN FIXING BARS

ENSURE THAT SCREWS ENTER FROM COUNTER SUNK SIDE OF FIXING BAR.

ENSURE END A-FRAMES HAVE THE SEAT FIXING BLOCKS FACING INWARDS AS SHOWN

IMPORTANT

USE CLAMPS WHEN FIXING THE LEGS IN TO PLACE AND SCREW THROUGH THE VERTICAL HOLES FIRST

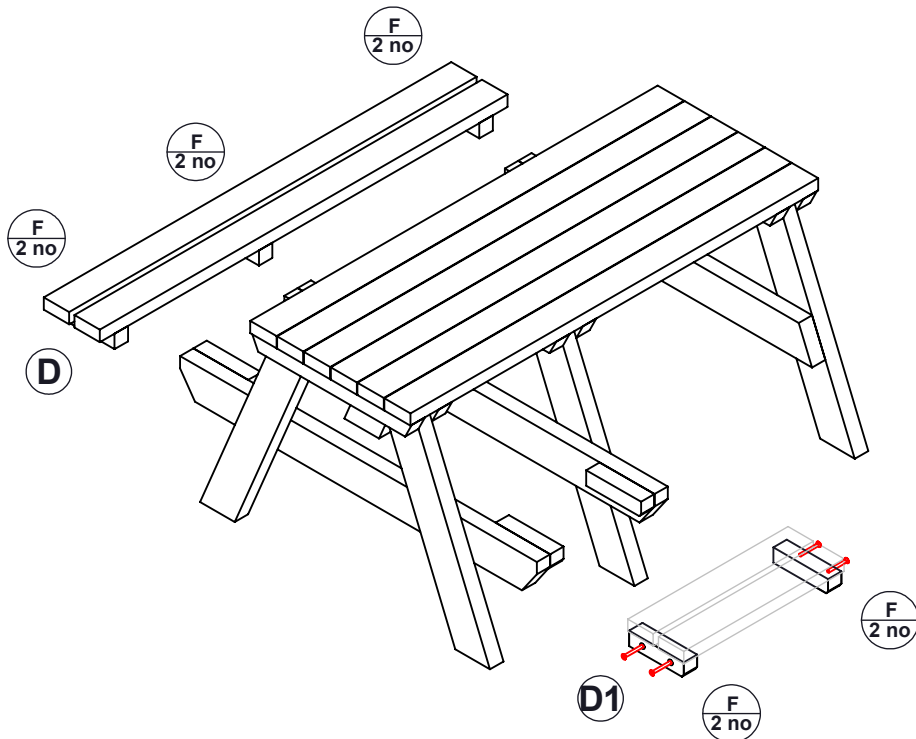
TOOLS:-
POWER DRILL WITH PHILIPS-HEAD BIT
MEASURING TAPE & STRAIGHT EDGE

IMPORTANT:-

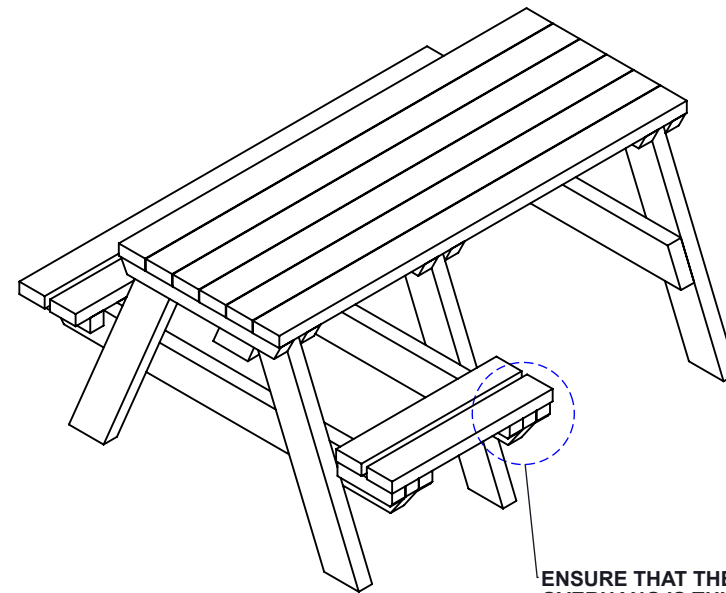
Ensure that you are familiar with these assembly instructions prior to commencing assembly.

We will not accept any claims resulting from products that have been wrongly assembled.

Employ safe lifting procedures when handling components.



TURN PICNIC TABLE OVER ONTO FEET
 & FIX PRE-ASSEMBLED SEATS USING 70mm
 SCREWS THROUGH PRE-DRILLED VERTICAL HOES
 IN SEAT FIXING BLOCKS & 90MM SCREWS THROUGH
 THE HORIZONTAL HOLES



ENSURE THAT THE SHORT SLAT
 OVERHANG IS THIS END ON THE
 ASSEMBLY.

Help and support:-

Please contact us using the telephone number
 or email address as stated on your shipping documents.

2 MTR.W/CHAIR PICNIC TABLE:
Assembly Guide - 2 of 2.

Earth Anchors Ltd