



Earth Anchors

furniture for parks and streets.

Seat & Benches Data Sheet

Xylophone Bench



Colour Information:



Multi

Specification:

Bench Length: 1000/1500/2000mm

Bench Height: 348/398/448mm

Bench Depth: 360mm

Product Information

Description

A colourful recycled plastic bench that's available in 3 lengths and 3 heights. Suitable for infants, juniors and adults.

Features

Supplied fully assembled.
25-year material guarantee.

Materials

Forest-Saver recycled plastic.
Stainless Steel.

Optional Extras

Customise with engravings or plaques.
Ground fixing kits.



Earth Anchors Ltd

Unit 3 Io Centre, Salbrook Road Industrial Estate, Salfords, Surrey, RH1 5GJ

Tel: 020 8684 9601

www.earth-anchors.com



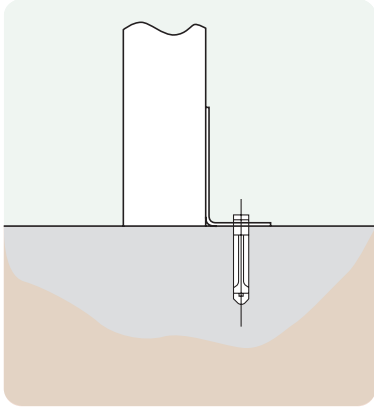
Earth Anchors

furniture for parks and streets.

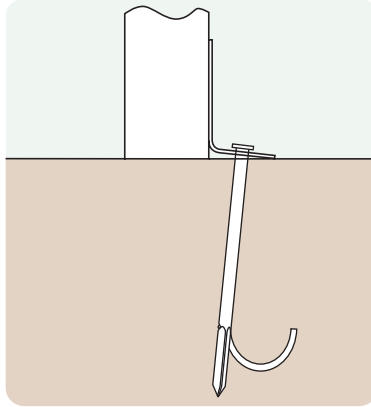
Seat & Benches Data Sheet

Xylophone Bench

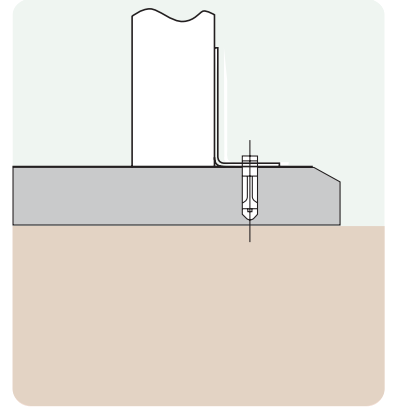
Ground Fixings



Bolt down
Available for a variety
of hard surfaces.

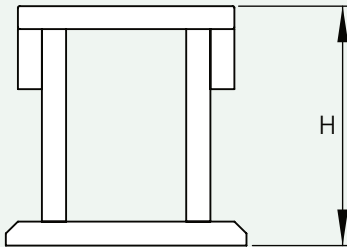


Anchored
Soft ground fixing kit for
grass.

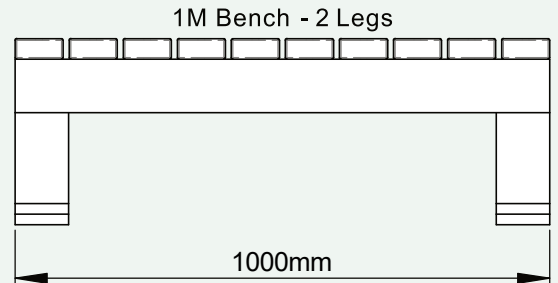


FastDek
Envirofriendly alternative
to a concrete pad.

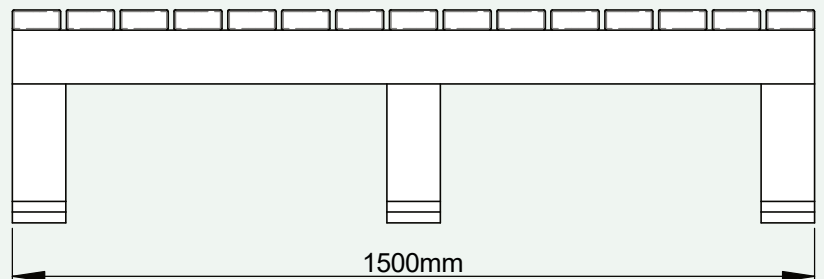
Side View



Infant H = 348mm
Junior H = 398mm
Adult H = 448mm



1.5M Bench - 3 Legs



2M Bench - 3 Legs

